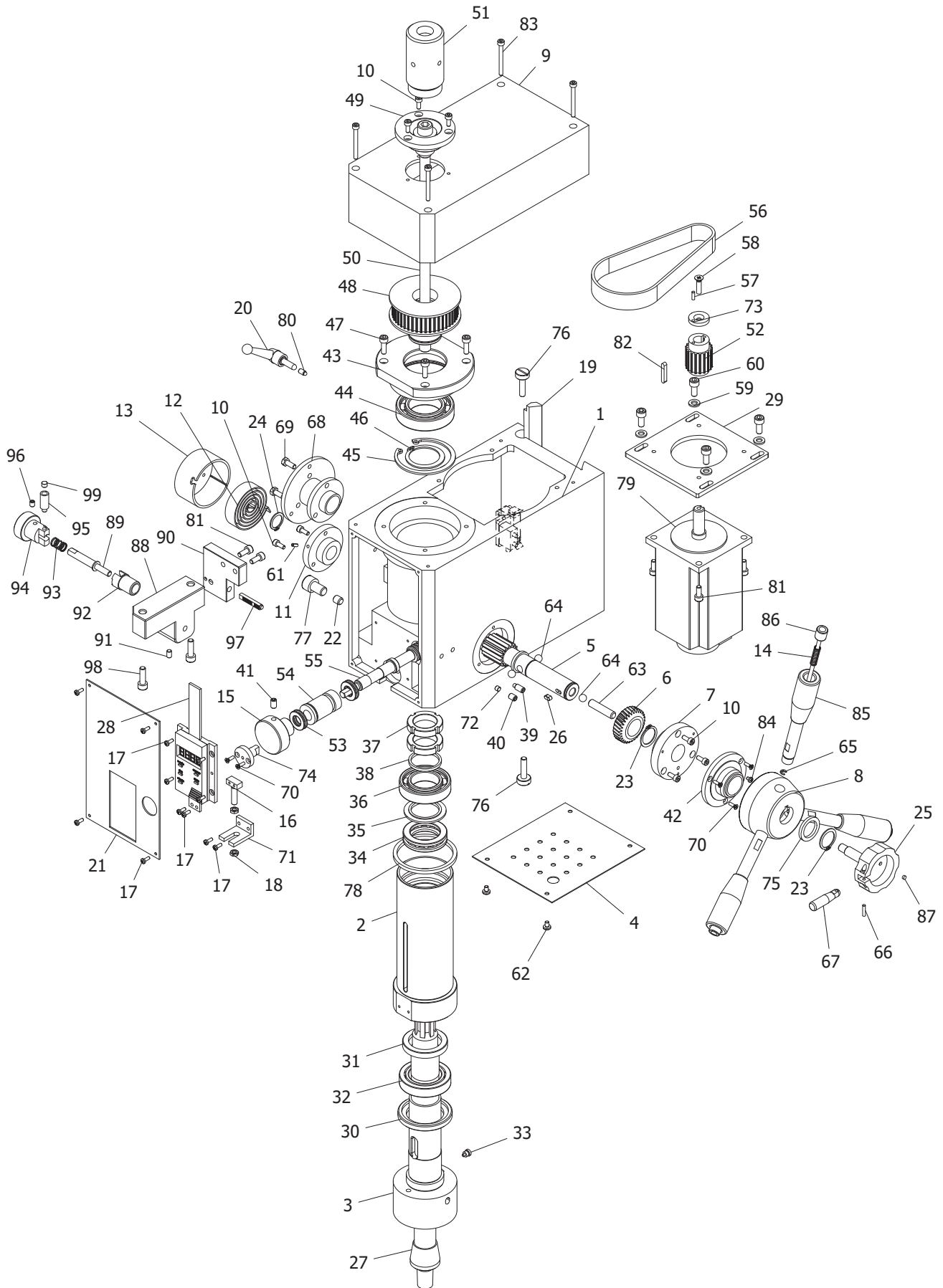


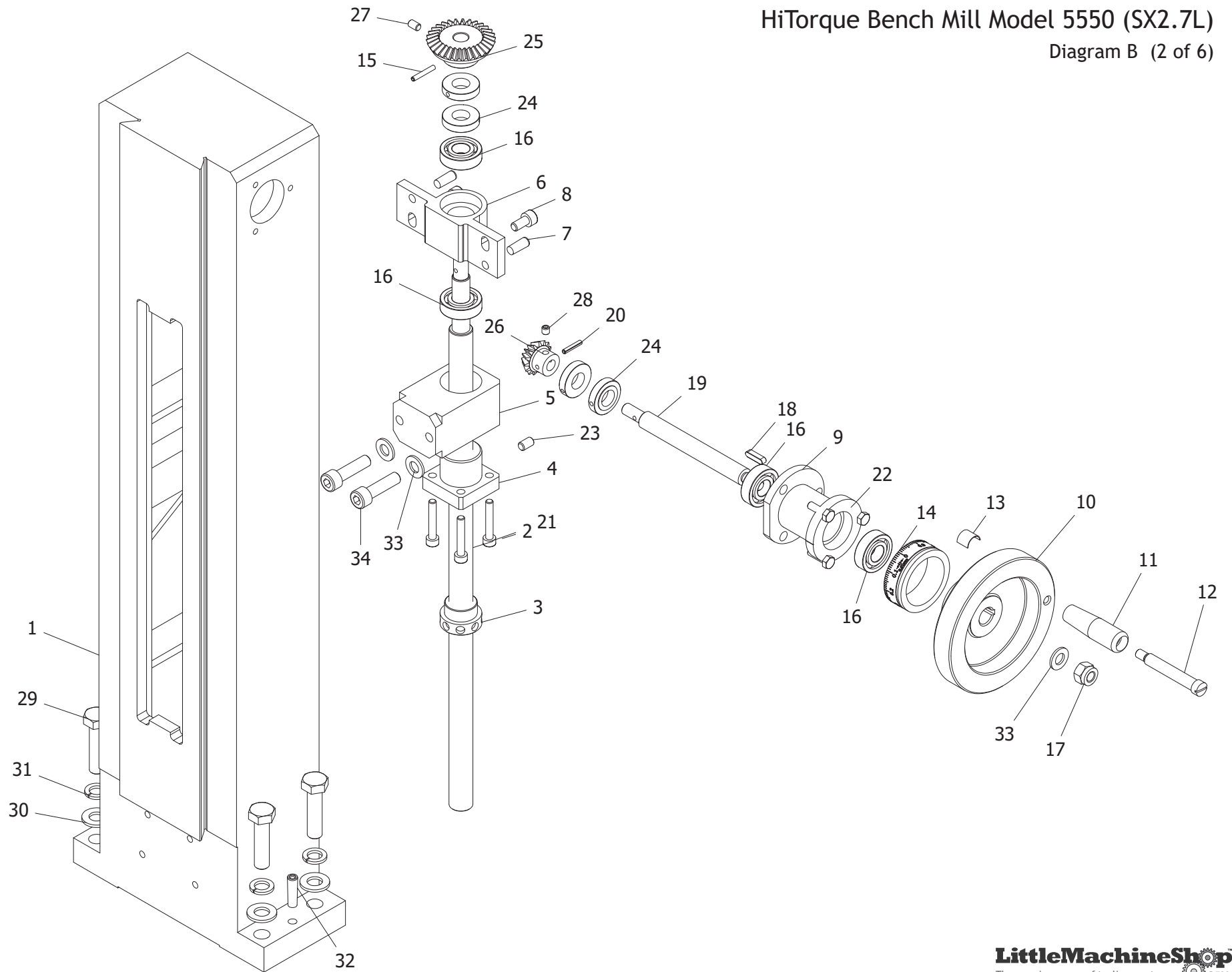
HiTorque Bench Mill Model 5550 (SX2.7L)

Diagram A (1 of 6)



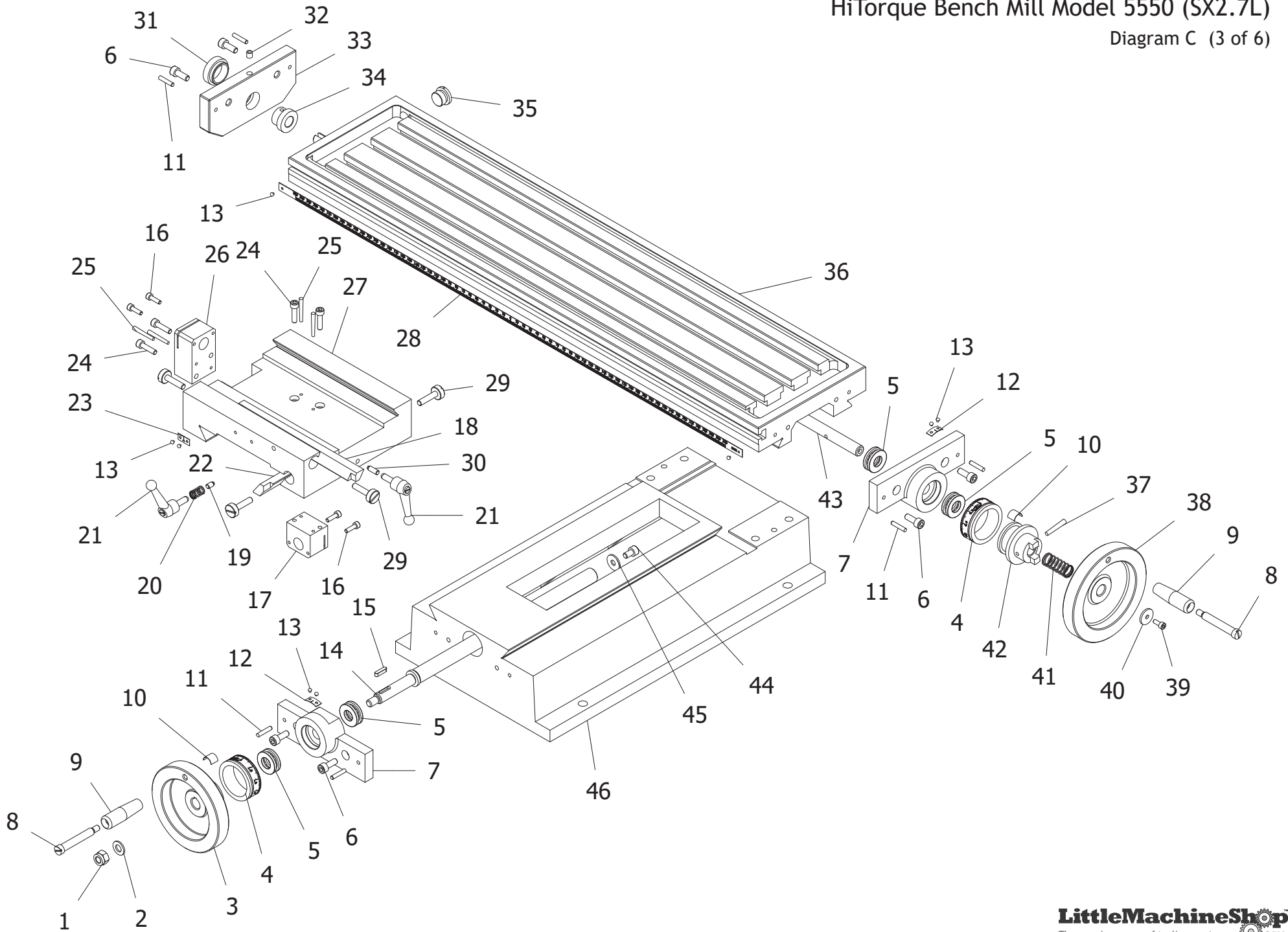
HiTorque Bench Mill Model 5550 (SX2.7L)

Diagram B (2 of 6)



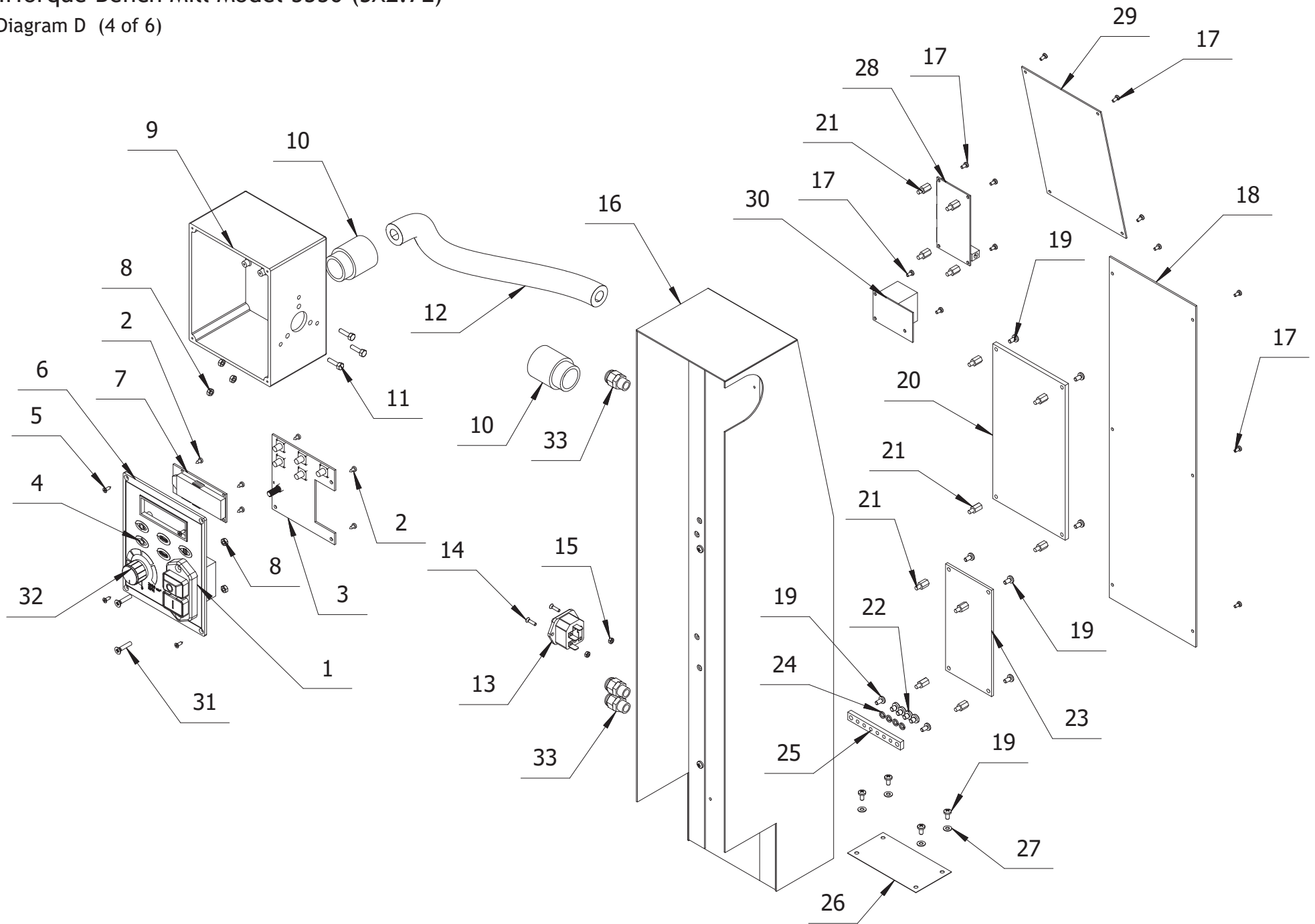
HiTorque Bench Mill Model 5550 (SX2.7L)

Diagram C (3 of 6)



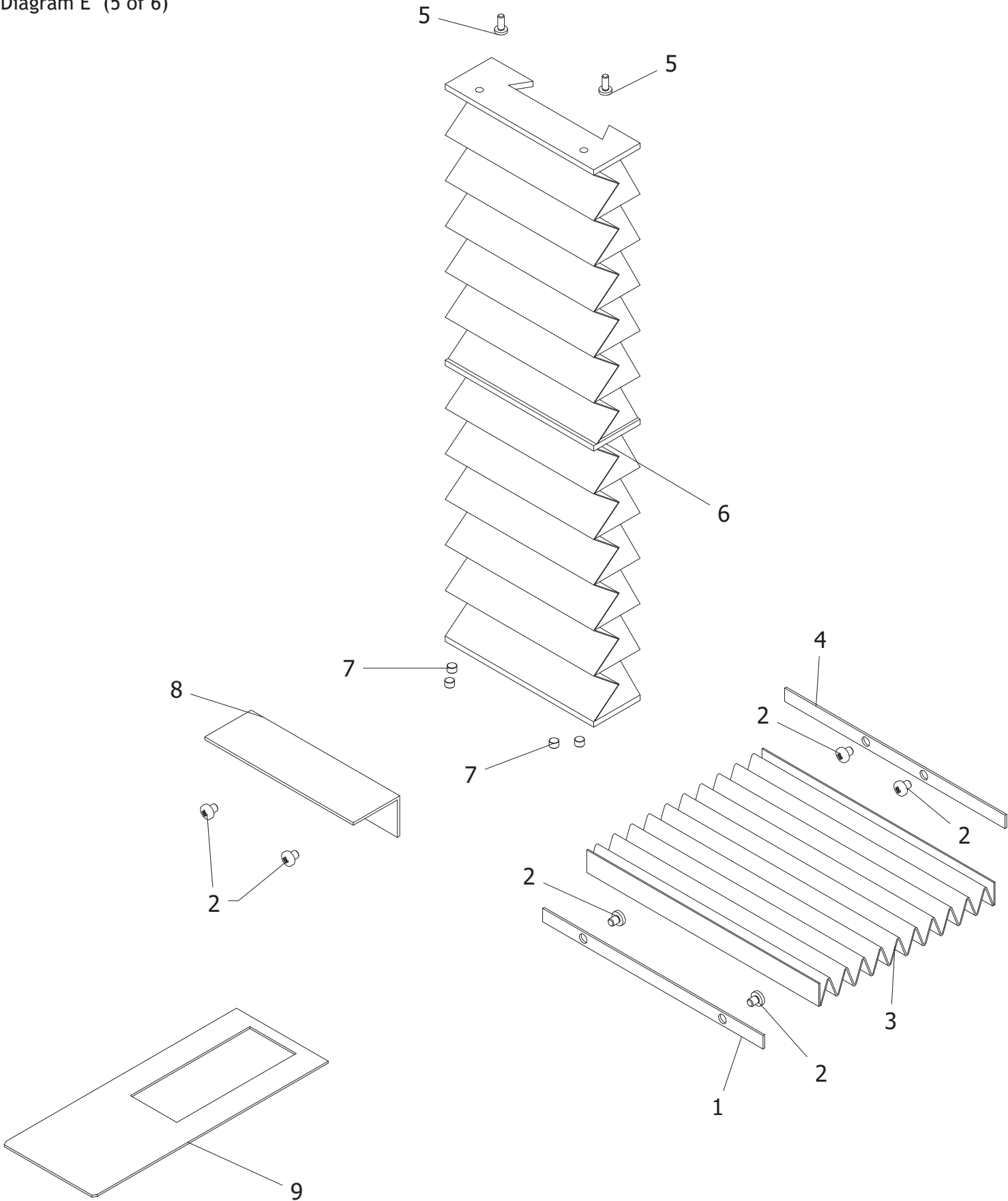
HiTorque Bench Mill Model 5550 (SX2.7L)

Diagram D (4 of 6)



HiTorque Bench Mill Model 5550 (SX2.7L)

Diagram E (5 of 6)



HiTorque Bench Mill Model 5550 (SX2.7L)

Diagram F (6 of 6)

