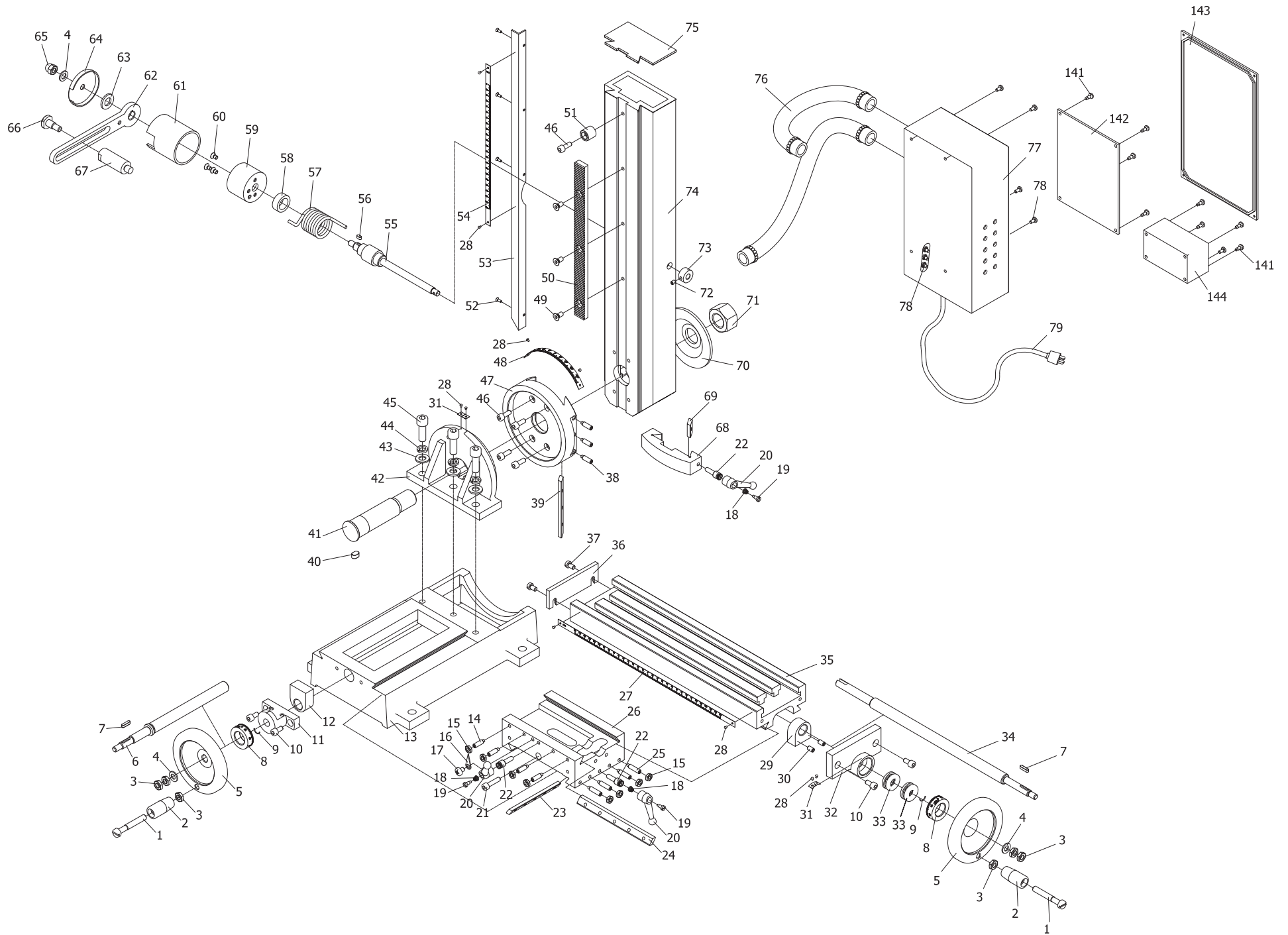


CRAFTEX Mini Mill - Model CX612 (SX2)

Drawing 1 of 2



CRAFTEX Mini Mill - Model CX612 (SX2)

Drawing 2 of 2

