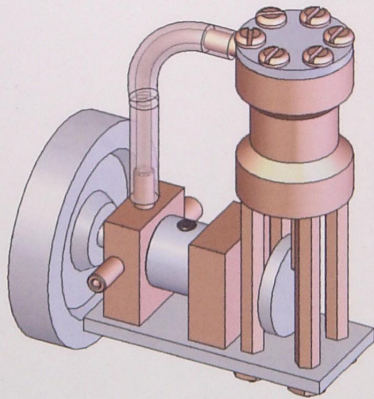


# DRAWING SET

## Launch Engine



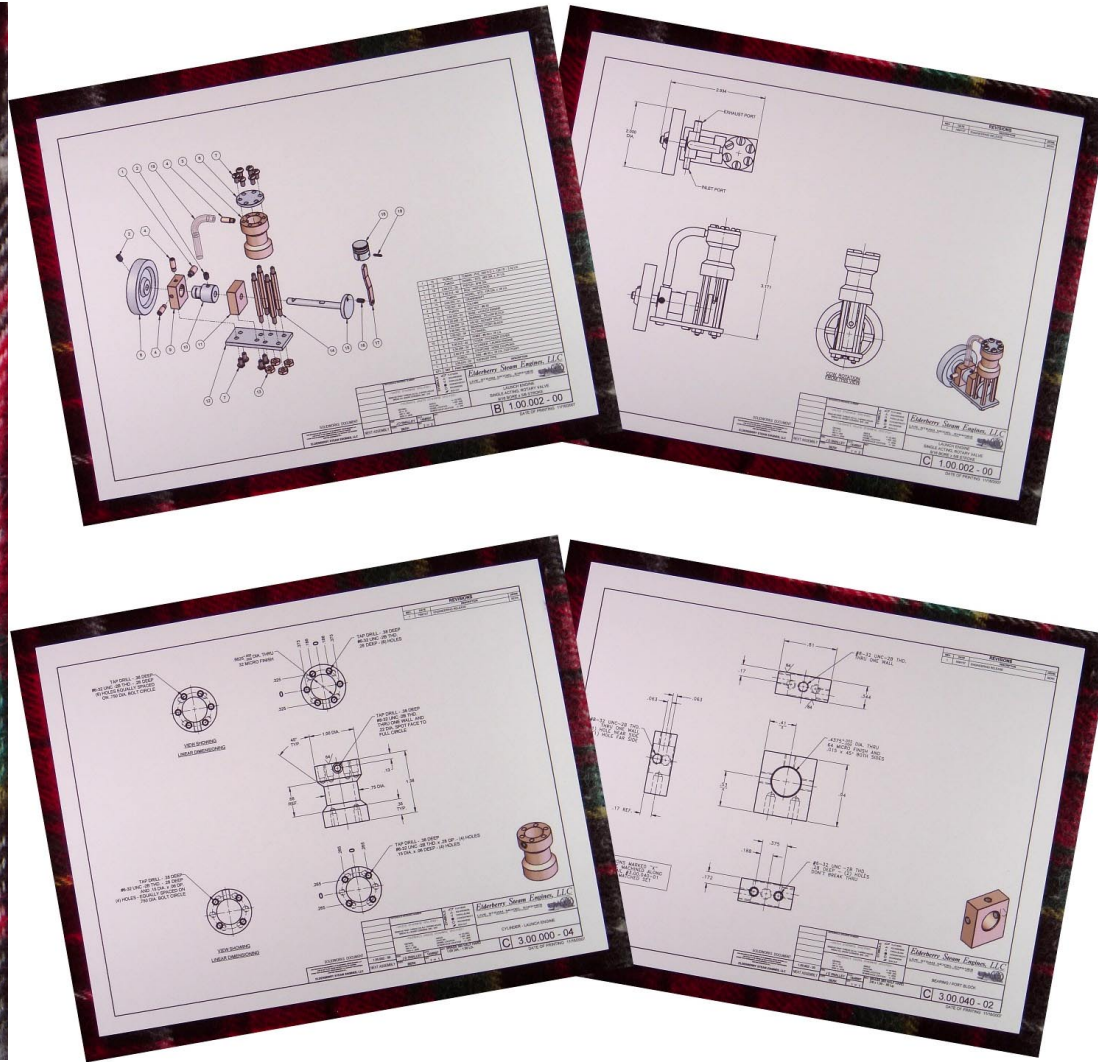
ELDER 1.00.002-00

Copyright May 2007, Elderberry Steam Engines, LLC

Warning: No portion of this manual or any artwork contained herein may be reproduced in any shape or form without the express written consent of Elderberry Steam Engines, LLC

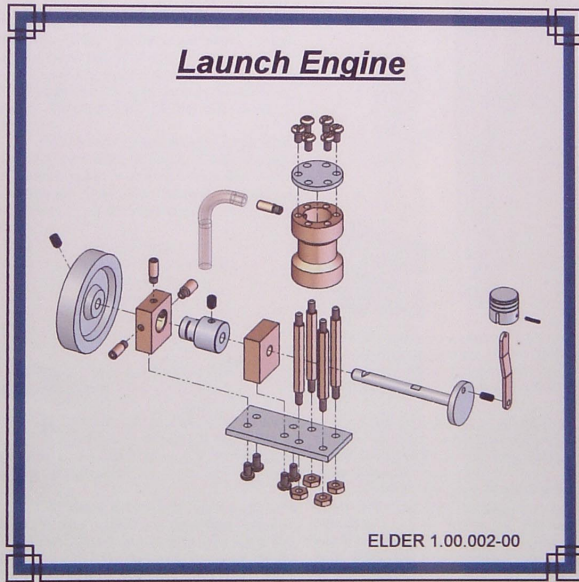
### Elderberry Steam Engines, LLC

LIVE STEAM MODEL ENGINES  
636 FOX GLEN DR. APARTMENT #23 SAGINAW, MICHIGAN 48636-7322



# CONSTRUCTION MANUAL

## Launch Engine



ELDER 1.00.002-00

Copyright May 2007, Elderberry Steam Engines, LLC

Warning: No portion of this manual or any artwork contained herein may be reproduced in any shape or form without the express written consent of Elderberry Steam Engines, LLC

*Elderberry Steam Engines, LLC*

LIVE STEAM MODEL ENGINES  
 ©2007 FOX GLEN DR. APARTMENT #23 SAGINAW, MICHIGAN 48618-7322

