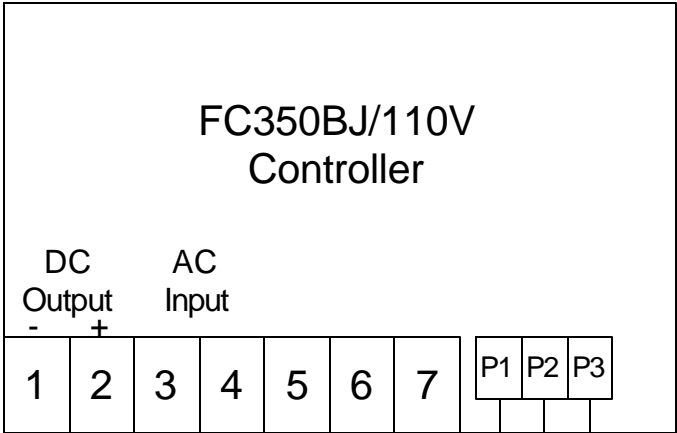
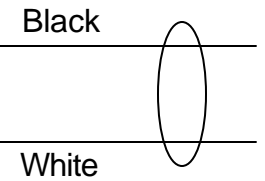
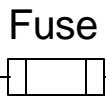
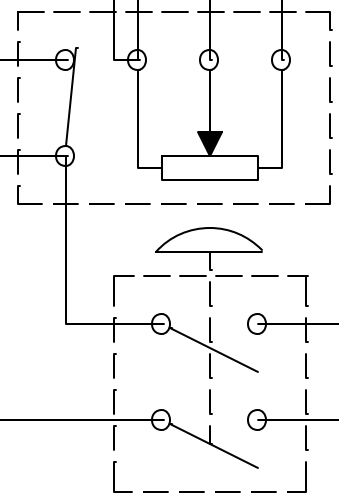
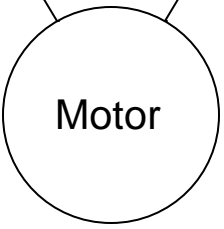
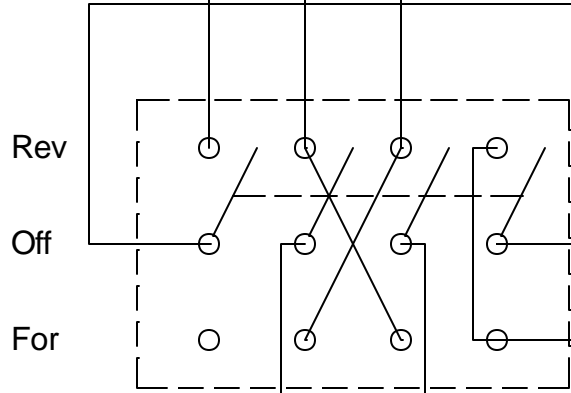


Wiring diagram for late model mini lathe with red and yellow emergency stop switch and upgrade 350-watt controller.



Tape wire end



LittleMachineShop.com		
<small>© 2005 LittleMachineShop.com. All rights reserved.</small>		
Wiring Diagram, Mini Lathe		
Revision 0	2507	Sheet 1 of 1