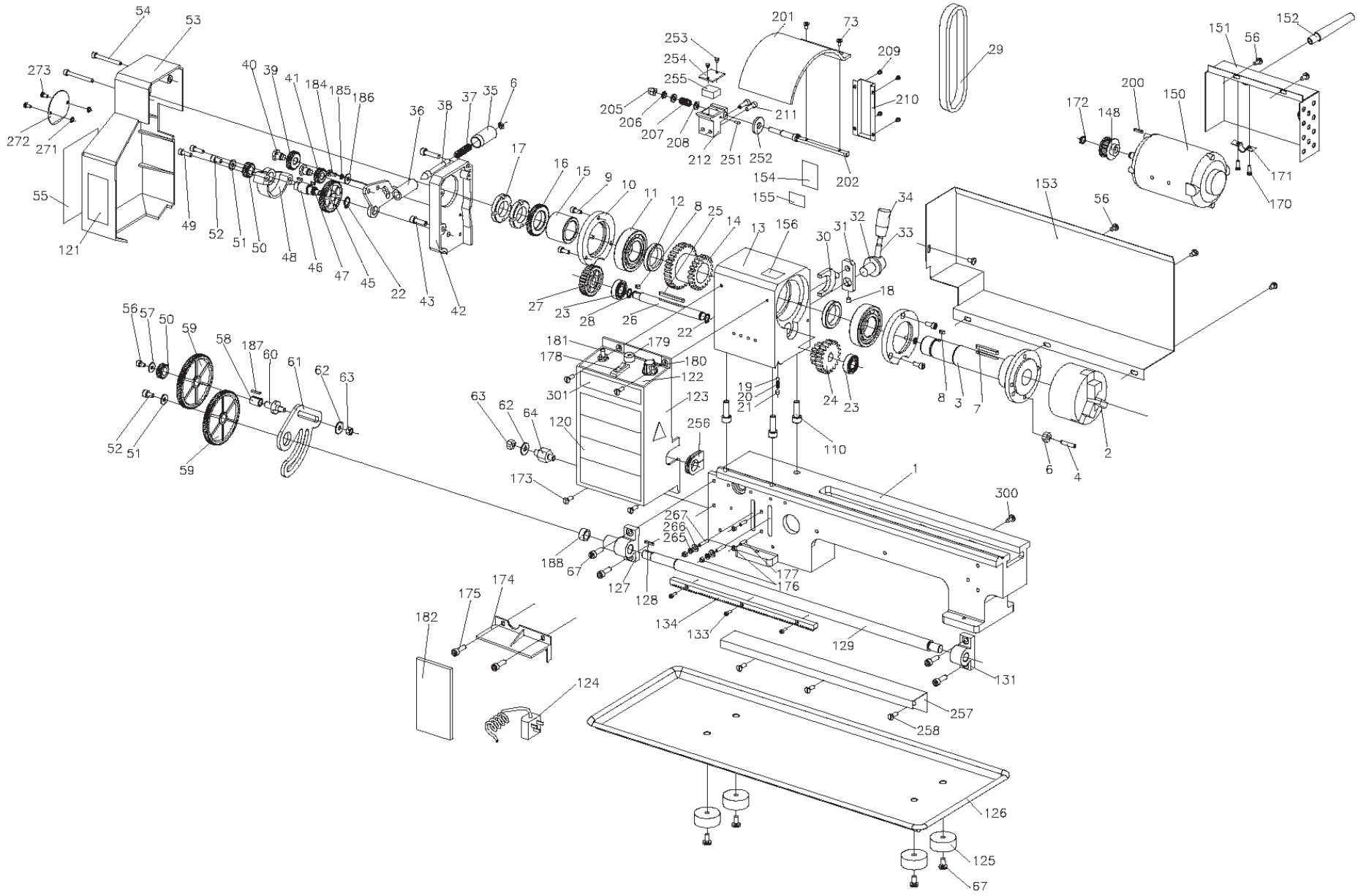


Tormach PCNC Duality Lathe - Model 31023 (C2)

Drawing 1 of 2



Tormach PCNC Duality Lathe - Model 31023 (C2)

Drawing 2 of 2

